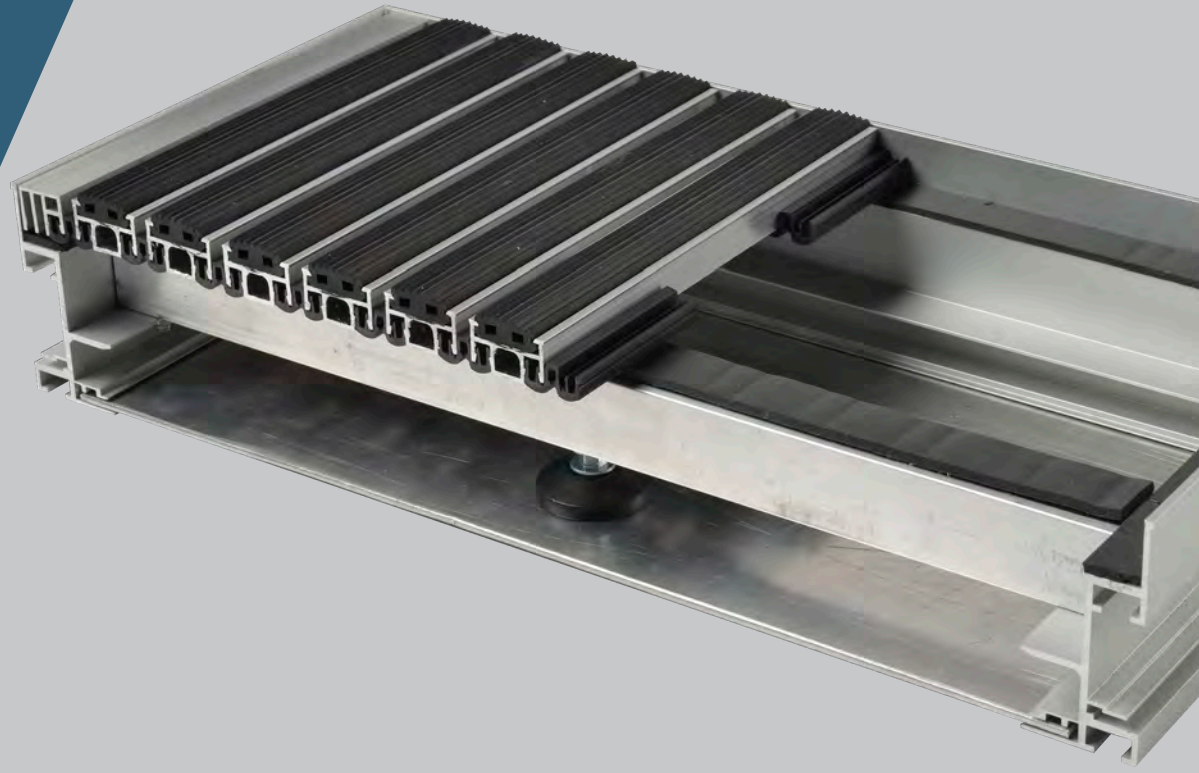




# INTRAsystems Waterlogic

Drainable support system designed to provide optimum performance in areas of extreme traffic flow and excessive moisture ingress.



STRENGTH RATING - EXTREME



ZONAL OPTION - 1 AND 2



BASIC RANGE OF DESIGN  
OPTIONS

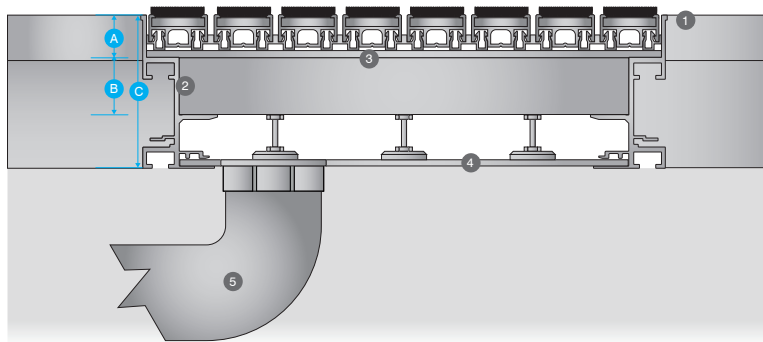


WARRANTY - 15 YEARS

## SPECIFICATION

Product Reference	INTRAsystems Waterlogic drainable matwell system
Suitable Matting Systems	Open Construction: INTRAflex XT, INTRAflew, INTRAflew Plus, INTRaform FR
Installation	In suitable recessed matwell area with surface of mat level with adjoining floor covering Can be customised to fit bespoke matwell bases
Construction	High Traffic environments with high soil & moisture ingress  80mm deep aluminium forming profile to surround of matwell  Waterproof membrane or stainless steel sheet to base of recess, laid to fall with drainage outlet  Support profiles installed perpendicular to matting profiles, minimum 300mm centres

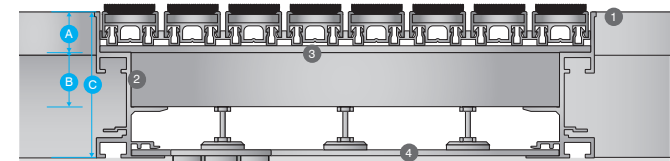
## PROFILE



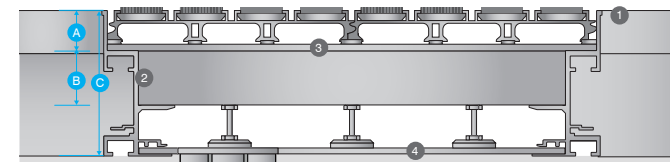
A	22mm	1	Finished Floor surface
B	30mm	2	Recessed matwell frame
C	80mm	3	Levelling latex to matwell base
		4	Screed sub-floor
		6	Drainage outlet

## ENTRANCE MATTING SYSTEMS

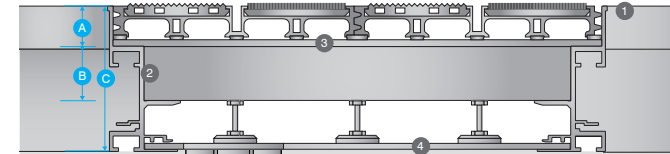
INTRAflew XT



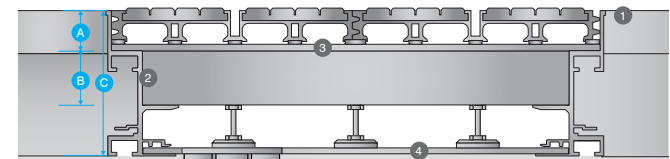
INTRAflew



INTRAflew Plus



INTRaform FR







# INTRAsystems Waterlogic



- 1. Clarges Block B
- 2. Vintners Place
- 3. Clarges Block B
- 4. Clarges Block B
- 5. Clarges Block B



INTRZ.  
SYSTEMS